

Designed For: Showroom

Job Address: _____

Designed By: The Main Company

Drawn By: Thomas Stanley

Scale: _____

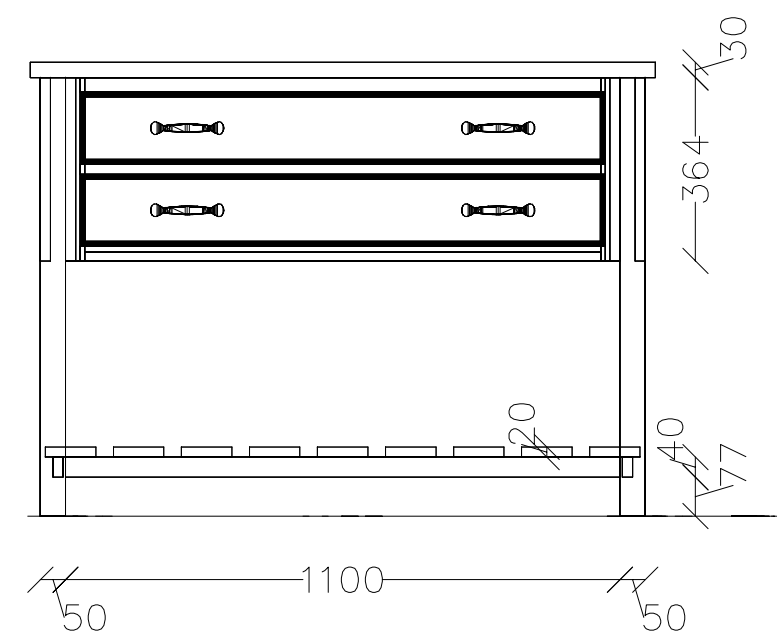
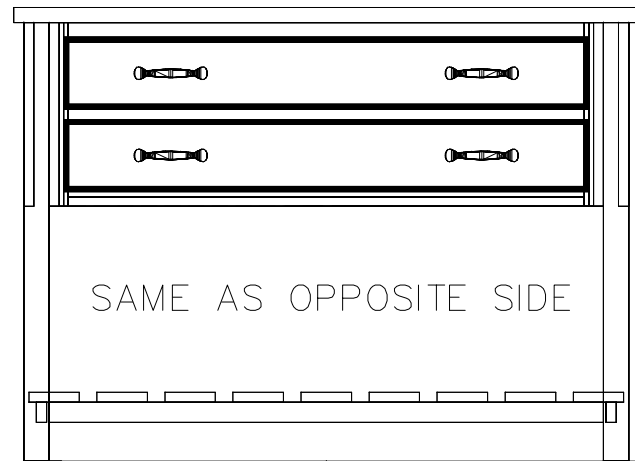
Job No: _____

Date: 04/05/2018

Revisions: _____

THIS IS AN ORIGINAL DESIGN AND
MUST NOT BE RELEASED OR
COPIED UNLESS APPLICABLE FEE
HAS BEEN PAID OR JOB
ORDER PLACED

ALL DIMENSIONS & SIZE
DESIGNATIONS GIVEN ARE SUBJECT
TO VERIFICATION ON JOB SITE
AND ADJUSTMENT TO FIT
JOB CONDITIONS



Designed For: Showroom

Job Address: _____

Designed By: The Main Company

Drawn By: Thomas Stanley

Scale: _____

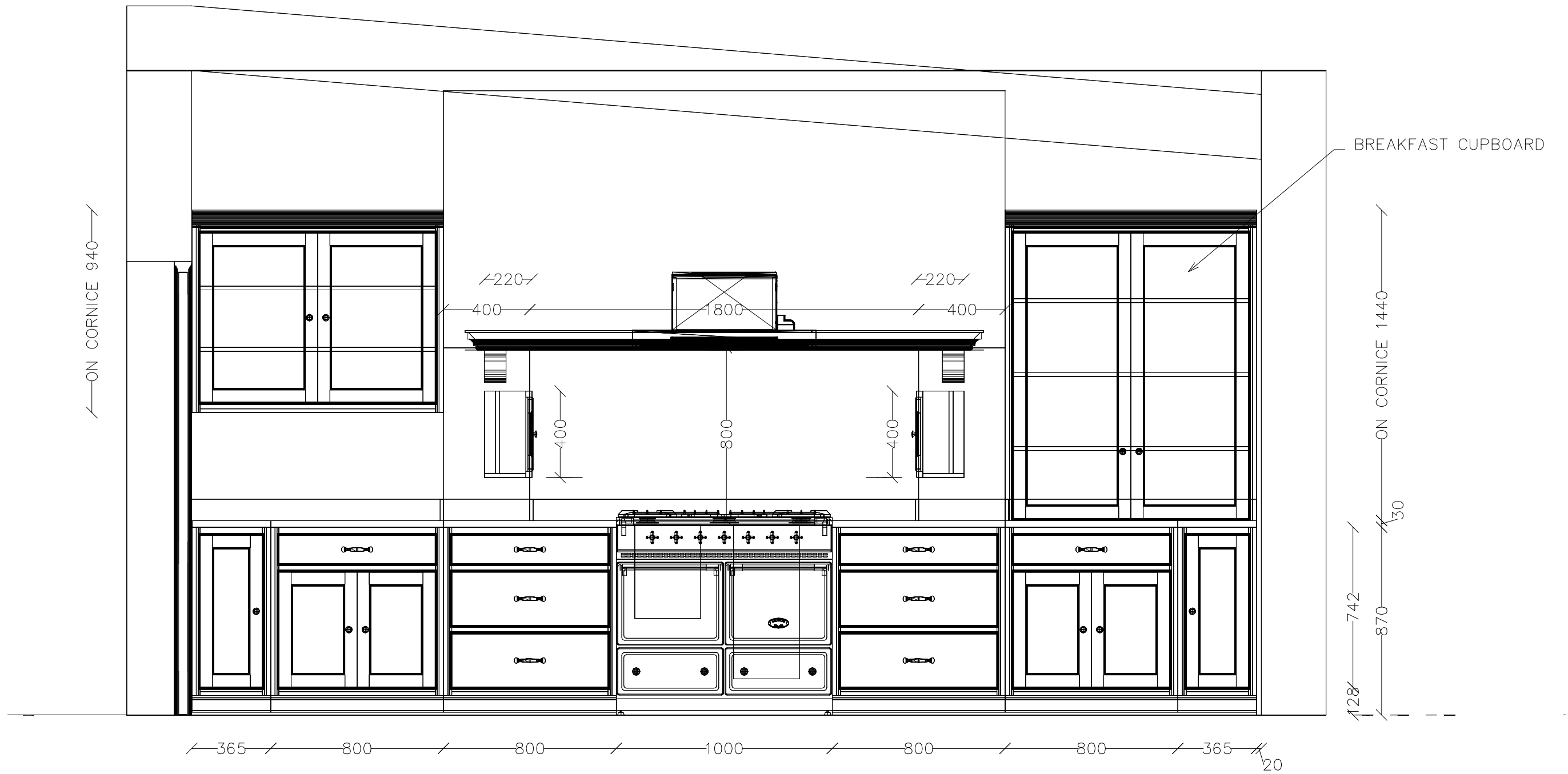
Job No: _____

Date: 04/05/2018

Revisions: _____

THIS IS AN ORIGINAL DESIGN AND
MUST NOT BE RELEASED OR
COPIED UNLESS APPLICABLE FEE
HAS BEEN PAID OR JOB
ORDER PLACED

ALL DIMENSIONS & SIZE
DESIGNATIONS GIVEN ARE SUBJECT
TO VERIFICATION ON JOB SITE
AND ADJUSTMENT TO FIT
JOB CONDITIONS



Designed For: Showroom

Job Address: _____

Designed By: The Main Company

Drawn By: Thomas Stanley

Scale: _____

Job No: _____

Date: 04/05/2018

Revisions: _____

THIS IS AN ORIGINAL DESIGN AND
MUST NOT BE RELEASED OR
COPIED UNLESS APPLICABLE FEE
HAS BEEN PAID OR JOB
ORDER PLACED

ALL DIMENSIONS & SIZE
DESIGNATIONS GIVEN ARE SUBJECT
TO VERIFICATION ON JOB SITE
AND ADJUSTMENT TO FIT
JOB CONDITIONS



Designed For: Showroom

Job Address: _____

Designed By: The Main Company

Drawn By: Thomas Stanley

Scale: _____

Job No: _____

Date: 04/05/2018

Revisions: _____

THIS IS AN ORIGINAL DESIGN AND
MUST NOT BE RELEASED OR
COPIED UNLESS APPLICABLE FEE
HAS BEEN PAID OR JOB
ORDER PLACED

ALL DIMENSIONS & SIZE
DESIGNATIONS GIVEN ARE SUBJECT
TO VERIFICATION ON JOB SITE
AND ADJUSTMENT TO FIT
JOB CONDITIONS